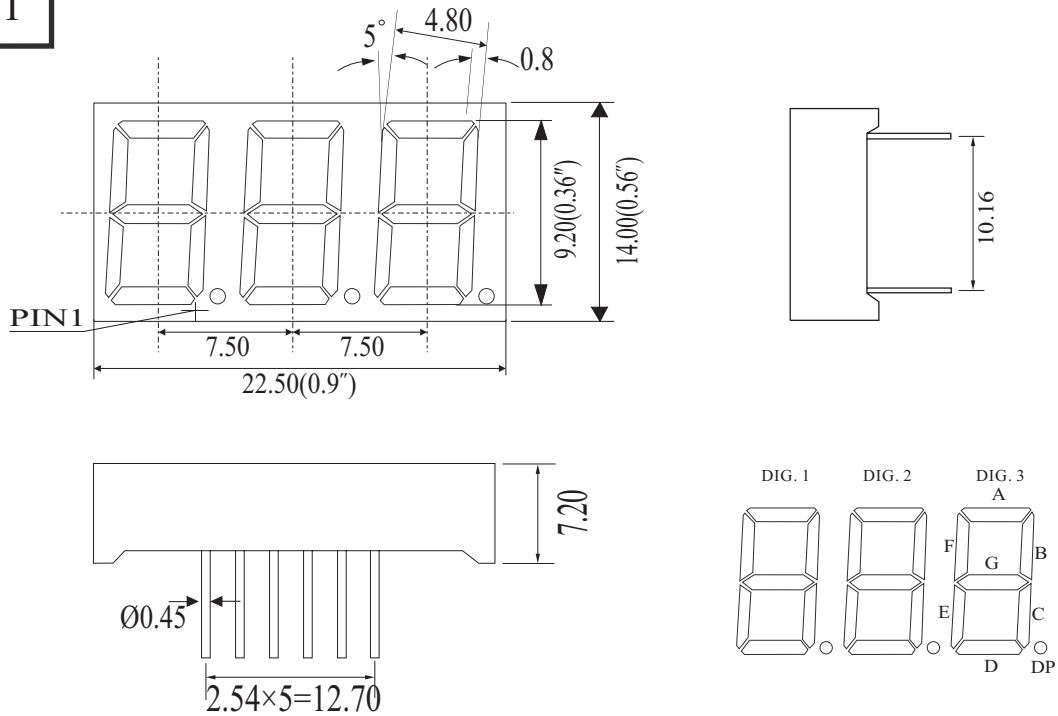


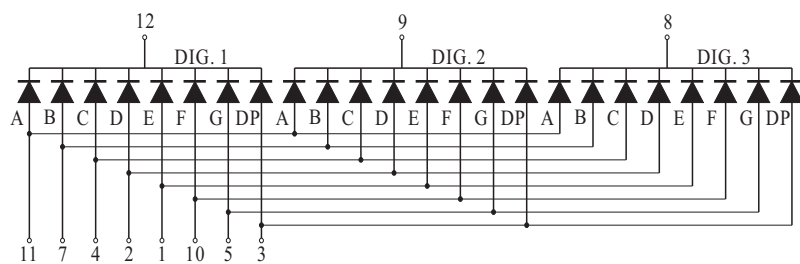
PACKAGE DIMENSION

E30361

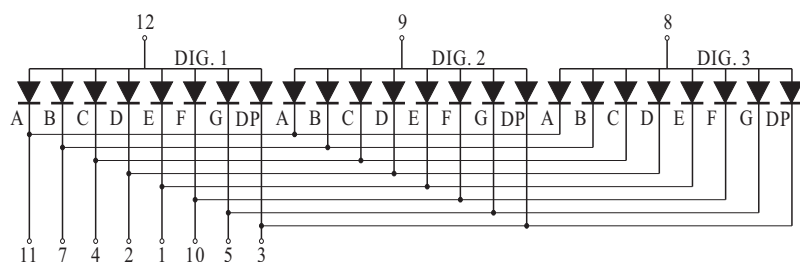


UNIT: MM(INCH) TOLERANCE: ±0.25(0.01")

INTERNAL CIRCUIT DIAGRAM



6 NO CONNECT
CODE L



6 NO CONNECT
CODE I