

L-934GD-12V GREEN

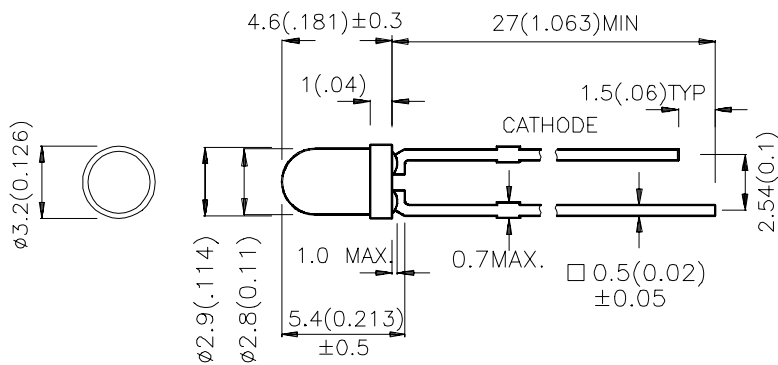
Features

- LOW POWER CONSUMPTION.
- GENERAL PURPOSE LEADS.
- RELIABLE AND RUGGED.
- LONG LIFE - SOLID STATE RELIABILITY.
- AVAILABLE ON TAPE AND REEL.
- 12V INTERNAL RESISTOR.

Description

The Green source color devices are made with Gallium Phosphide Green Light Emitting Diode.

Package Dimensions



Notes:

1. All dimensions are in millimeters (inches).
2. Tolerance is $\pm 0.25(0.01)$ unless otherwise noted.
3. Lead spacing is measured where the lead emerge package.
4. Specifications are subject to change without notice.

Selection Guide

| Part No. | Dice | Lens Type | Iv (mcd) V=12V | | Viewing Angle |
|-------------|-------------|----------------|-------------------|------|---------------|
| | | | Min. | Typ. | 2θ1/2 |
| L-934GD-12V | GREEN (GaP) | GREEN DIFFUSED | 8 | 20 | 60° |

Note:

1. θ1/2 is the angle from optical centerline where the luminous intensity is 1/2 the optical centerline value..

Electrical / Optical Characteristics at T_A=25°C

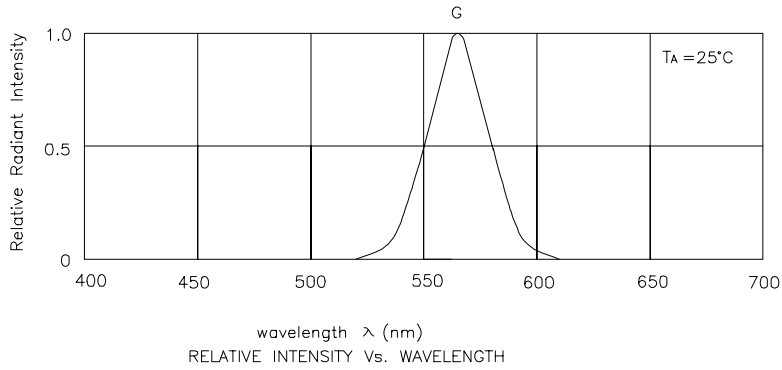
| Symbol | Parameter | Device | Typ. | Max. | Units | Test Conditions |
|-------------------|--------------------------|--------|------|------|-------|---------------------|
| λ _{peak} | Peak Wavelength | Green | 565 | | nm | V _F =12V |
| λ _D | Dominate Wavelength | Green | 568 | | nm | V _F =12V |
| Δλ _{1/2} | Spectral Line Half-width | Green | 30 | | nm | V _F =12V |
| I _F | Forward Current | Green | 8.5 | 11.5 | mA | V _F =12V |
| I _R | Reverse Current | Green | | 10 | uA | V _R =5V |

Absolute Maximum Ratings at T_A=25°C

| Parameter | Green | Units |
|-----------------------------|---------------------|-------|
| Power dissipation | 120 | mW |
| Forward voltage | 14 | V |
| Reverse voltage | 5 | V |
| Operating Temperature | -40 °C To +70 °C | |
| Storage Temperature | -40 °C To +85 °C | |
| Lead Solder Temperature [1] | 260°C For 5 Seconds | |

Note:

1. 2mm below package base.



Green L-934GD-12V

